

Data Sheet 3.2

Based on the previous successful model
Malvern Boilers have released their upgraded replacement of the
Malvern **condensing combi**



It is a room sealed, range rated model with a maximum output of 23.5 kW (80,000 Btu/h).

Featuring

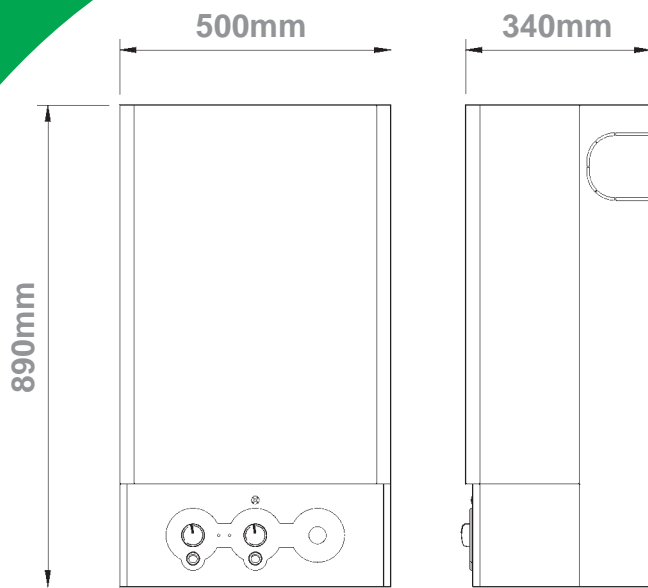
- Higher efficiency with a SEDBUK group B rating.
- Multiple fluing options up to 30 metres.
- Updated styling.
- Simpler & quicker installation features.
- Proven heat exchanger technology. All copper water-side. No special inhibitors required.
- Supplied with pump, 10 litre expansion vessel, pressure gauge and safety valve.
- Separate Heating & Hot Water controls.

Painted in a high quality white powder coated steel the Malvern **condensing combi** is approved to all the relevant standards and suitable for use on open or sealed systems. It is designed with a naturally aspirated burner and intermittent pilot using industry standard components.

A number of Flueing options are available, all in lightweight plastic. Concentric horizontal 0.5 metre or an extended 2 metres, left right or rear. Or, Twin Pipe horizontal, vertical or a combination, to a total of 30 metres. A range of Terminals are available to suit Flat or Pitched roofs, Chimneys, Ridges, and Walls. Because of the low temperature of the flue gasses with a condensing boiler, wall terminals do not require a guard for temperature protection.

10 years of straightforward and effective Condensing Boilers. Designed and manufactured in the United Kingdom at Malvern in Worcestershire.

condensing
combi
MALVERN



dimensions

general specification

	<i>combi</i>
Heat Output 80-60°C	14.7-22.0 kW (50,000-74,800 Btu/h)
Heat Output 60-40°C	16.0-23.5 kW (54,600-80,000 Btu/h)
SEDBUK Rating	B
Efficiency NETT	Full 96.8%, Part 101.1%
Type & Destination	C ₁₂ C ₃₂ C ₅₂ U.K. & I.E.
Gas Connection	½" B.S.P.
Installation Lift Weight	52 kg
Water Content	4.85 Litres
Flow & Return Connections	28mm Copper
Electrical Supply	230V~50Hz 120W
Service Clearances mm	450 Front, 30 Above Below & Left/Right
Flue Diameter mm	Concentric 110 Twin Pipe 80
Flue Length, min-max, mm	Concentric 100 - 2m. Twin Pipe 200 - 30m.
Fuel	Natural Gas
Gas Council No.	47 555 02
WRAS No	0012063

condensing
combi
MALVERN



Malvern Boilers Ltd.
Spring Lane North, Malvern,
Worcestershire, WR14 1BW.
Telephone: 01684 893777 Fax: 01684 893776
www.malvernboilers.co.uk
Email: sales@malvernboilers.co.uk

Agent

The company has a policy of continuous improvement and reserves the right to change specification without notice.

M4252/2